

### Features and Benefits

- **BiCMOS Technology**
- **Magnetic Type: Latch**
- **With internal Pull Up Resistor**
- **Wide Operating Voltage Range:**  
Supply Voltage 3.0~18V
- **Specified Operating Temperature Range:**  
From -40°C~150°C
- **High Magnetic Sensitivity**  
Bop=20Gauss, Brp=-20Gauss (typical)
- **200mA Output Sink Current**
- **Embedded Clamp Diode at Output**
- **Embedded OverTemp Protector**
- **Reversed Power Supply Protection**
- **RoHS Compliant**  
2011/65/EU

### Applications

- Automotive, Home appliances, Industrial
- DC Fan, Electric tools
- Magnetic Encoder
- Flow Sensor

### Family Members

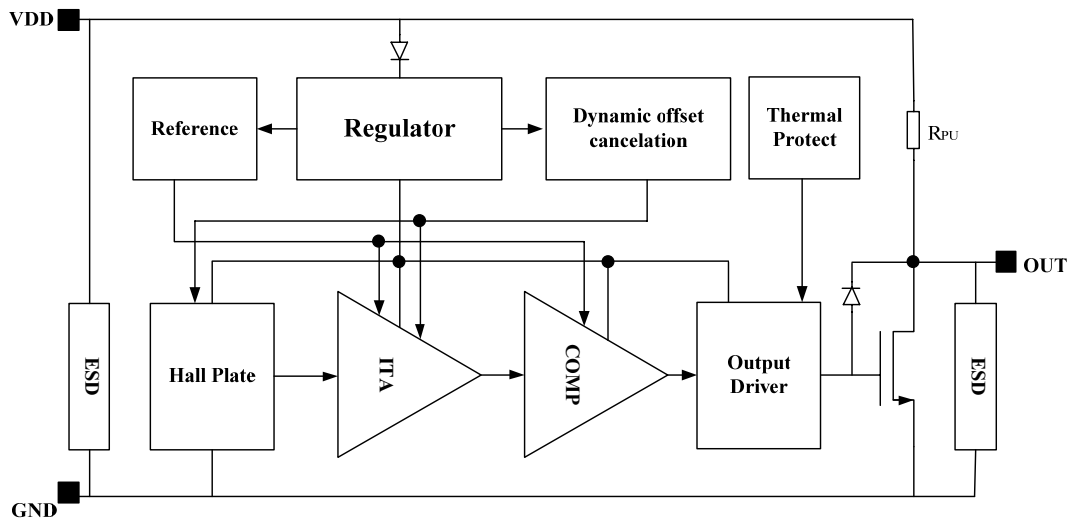
Part number	Description
MT3411A	Flat TO-92 package, bulk packaging (1000pcs/bag)
MT3411A-T	Flat TO-92 package, Radial lead, bulk packaging (1000pcs/bag)
MT3411AT	SOT-23 package, tape and reel packaging (3000pcs/bag)
MT3411BT	SOT-89B package, tape and reel packaging (1000pcs/bag)
MT3411ET	SOT-23(thin outline) package, tape and reel packaging (3000pcs/bag)

### General Description

The MT3411 family, produced with BiCMOS technology, The Hall IC internally includes an on-chip Hall voltage generator, a voltage regulator for operation with supply voltages of 3.0 to 18V, temperature compensation circuitry, small-signal amplifier, Hall sensor with dynamic offset cancellation system, Schmitt trigger and an output driver with pull-up resistor. It also includes a clamp diode at output and reversed power supply protection which enhances the robustness of Hall IC.

They are designed to respond to alternating North and South poles. While the magnetic flux density(B) is larger than operate point (Bop), the output will be turned on (Low), the output is held until the magnetic flux density(B) is lower than release point (Brp), then turn off (High).

The MT3411 family provides a variety of packages to customers: SOT-23/SOT-89B for surface mount and TO-92 flat for through-hole mount. All packages are RoHS compliant.



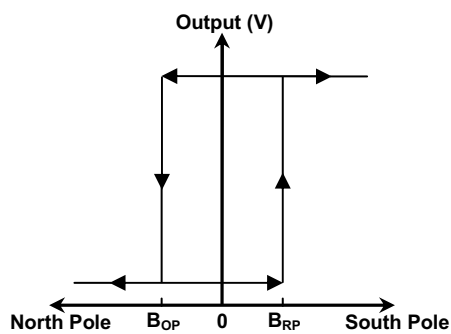
Functional Block Diagram

## Function Description

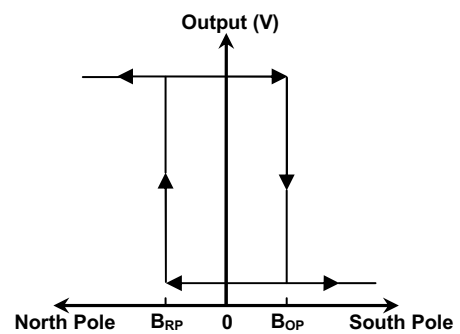
### Definition of Magnetic Parameters

- BOP:** Operating Point  
Magnetic flux density applied on the branded side of the package which turns the output driver ON ( $V_{OUT} = \text{Low}$ )
- BRP:** Release Point  
Magnetic flux density applied on the branded side of the package which turns the output driver OFF ( $V_{OUT} = \text{high}$ )
- BHYST:** Hysteresis Window  
BOP-BRP

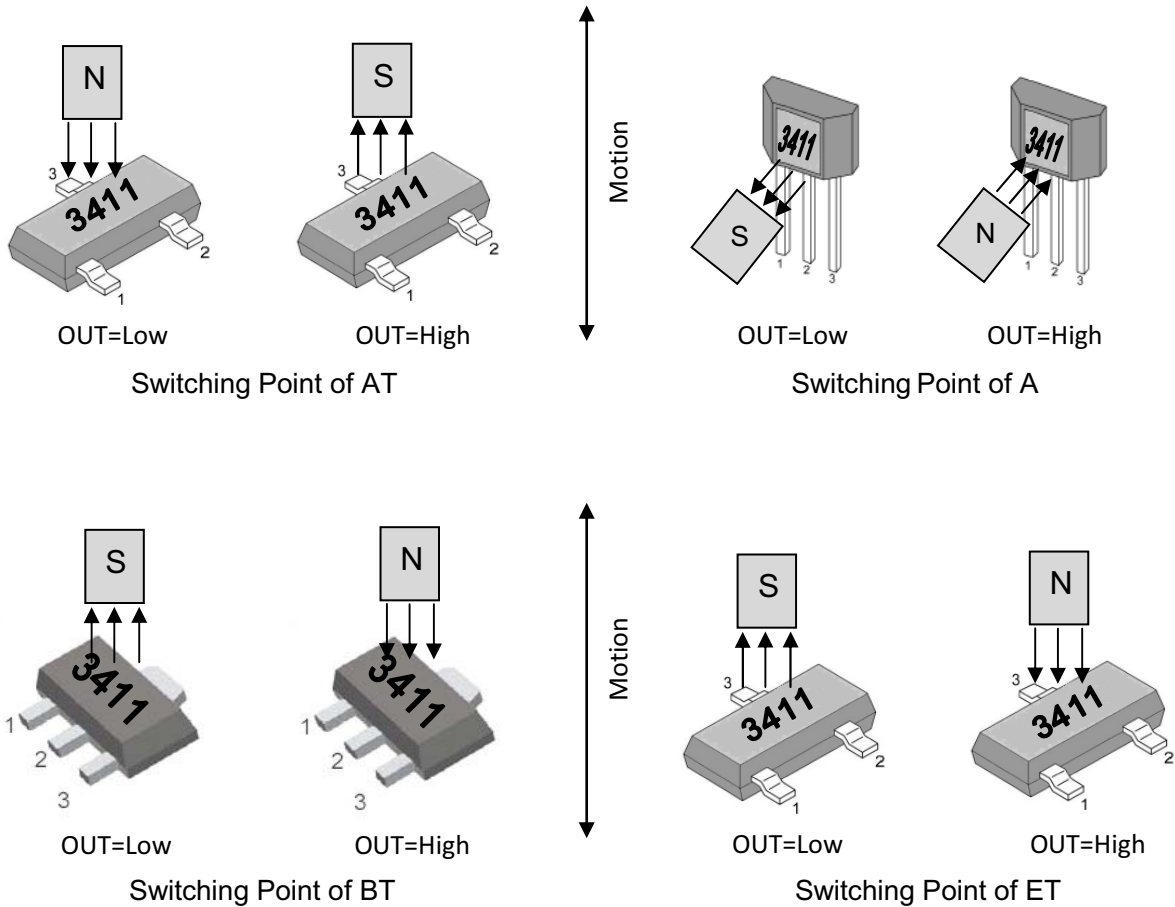
### Definition of Switching Function



Switching Behavior of AT



Switching Behavior of A, BT and ET



Note: Direction of magnetic flux

## Pin Description

### MT3411AT

Name	Number	Description
Vs	1	Power
GND	3	Ground
Output	2	Include pull-up resistor

### MT3411A (MT3411A-T)

Name	Number	Description
Vs	1	Power
GND	2	Ground
Output	3	Include pull-up resistor

### MT3411BT

Name	Number	Description
Vs	1	Power
GND	2	Ground
Output	3	Include pull-up resistor

### MT3411ET

Name	Number	Description
Vs	1	Power
GND	3	Ground
Output	2	Include pull-up resistor

### Electrical and Magnetic Characteristics

#### Absolute Maximum Ratings

Absolute maximum ratings are limiting values to be applied individually, and beyond which the serviceability of the circuit may be impaired. Functional operability is not necessarily implied. Exposure to absolute maximum rating conditions for an extended period of time may affect device reliability.

Absolute maximum ratings: all voltages listed are referenced to GND.

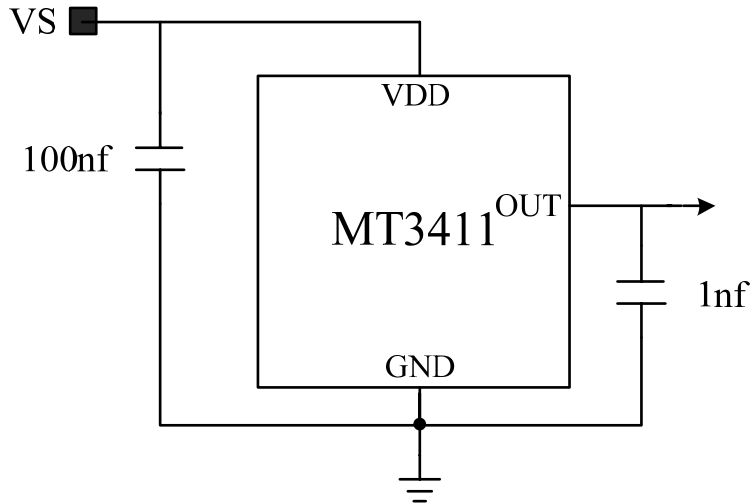
Symbol	Parameters	Min	Max	Units
V <sub>S</sub>	Supply Voltage	-	30	V
V <sub>RCC</sub>	Reverse Battery Voltage	-	-30	V
V <sub>OUT</sub>	Output Voltage	-	30	V
I <sub>OUT</sub>	Continuous output current	-	200	mA
T <sub>A</sub>	Operating Ambient Temperature	-40	150	°C
T <sub>S</sub>	Storage temperature	-50	150	°C
T <sub>J</sub>	Junction temperature	-	150	°C
B	Magnetic flux	No Limit		Gauss

#### MT3411 Series Specifications

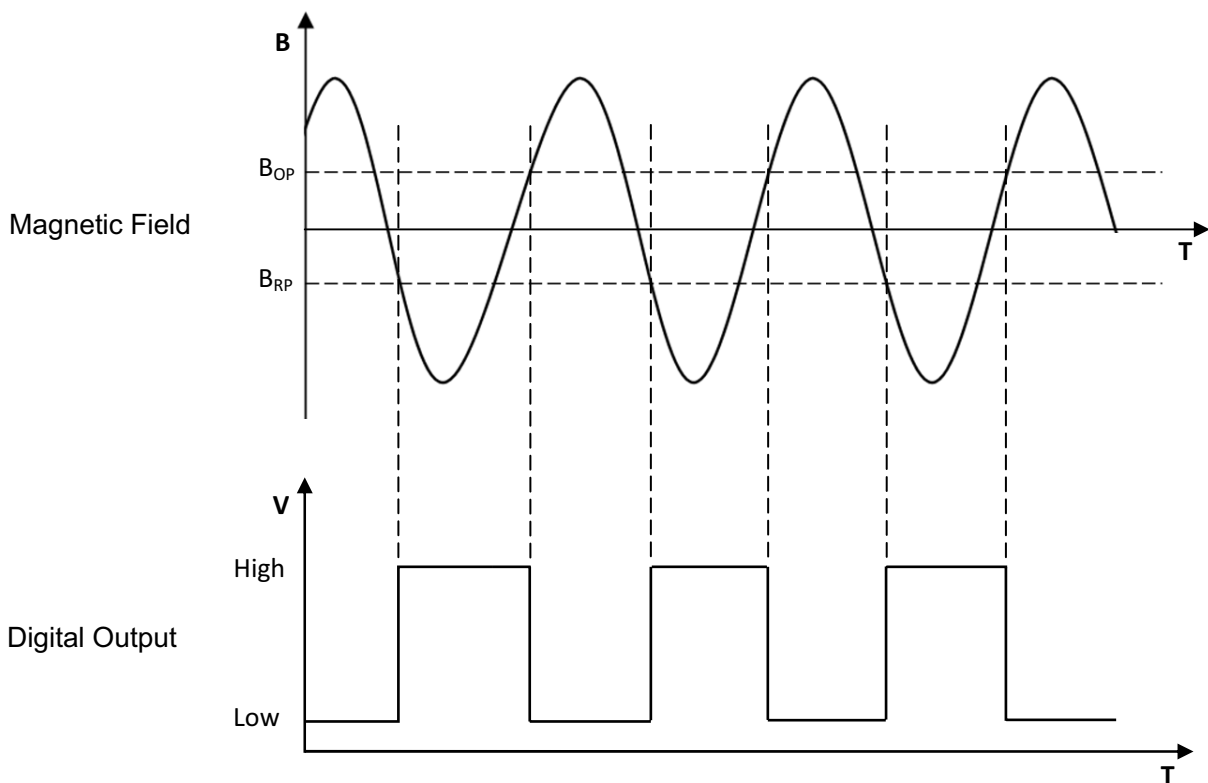
at T<sub>A</sub> = -40°C to 150°C, V<sub>S</sub> = 3.0V to 18V (unless otherwise specified)

Symbol	Parameter	Test Condition	Min	Typ	Max	Units
V <sub>S</sub>	Supply Voltage	Operating	3.0	-	18	V
I <sub>S</sub>	Supply Current	B < B <sub>RP</sub>	0.5	-	2	mA
V <sub>DSON</sub>	Output Saturation Voltage	I <sub>OUT</sub> = 100mA, B > B <sub>OP</sub>	-	-	0.4	V
I <sub>OFF</sub>	Output Leakage Current	B < B <sub>RP</sub> , V <sub>OUT</sub> = 18V	-	-	10	µA
T <sub>R</sub>	Output Rise Time	R <sub>L</sub> = 1KΩ, C <sub>L</sub> = 20pF	-	-	4.0	µs
T <sub>F</sub>	Output Fall Time	R <sub>L</sub> = 1KΩ, C <sub>L</sub> = 20pF	-	-	1.0	µs
R <sub>PU</sub>	Internal Pull-up Resistor		7	10	13	KΩ
F <sub>SW</sub>	Maximum Switching Frequency		-	-	10	KHz
R <sub>TH</sub>	SOT-23 Package Thermal Resistance		-	301	-	°C/W
	TO-92 Package Thermal Resistance		-	230	-	°C/W
	SOT-89B Package Thermal Resistance		-	230	-	°C/W
B <sub>OP</sub>	Magnetic Operating Point	At T <sub>A</sub> = 25°C	5	20	40	Gauss
B <sub>RP</sub>	Magnetic Release Point	At T <sub>A</sub> = 25°C	-40	-20	-5	Gauss
B <sub>HYST</sub>	Hysteresis Window	At T <sub>A</sub> = 25°C,  B <sub>OP</sub> - B <sub>RP</sub>	10	40	80	Gauss

## Typical Application Circuit

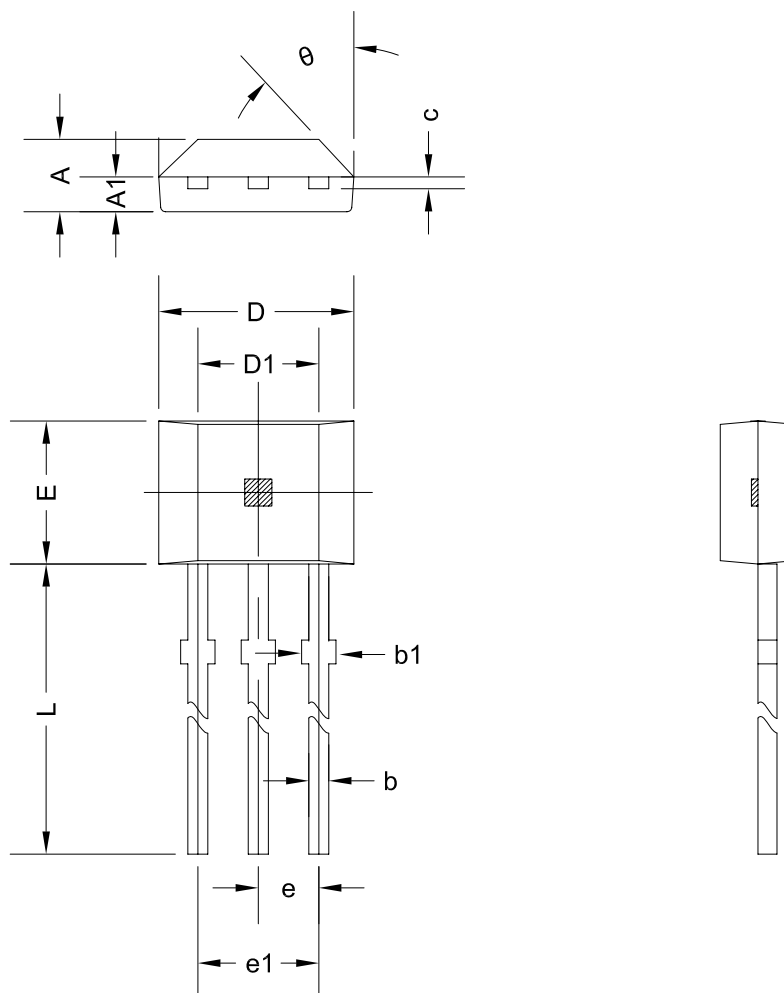


## Typical Output Waveform (The TO-92 package as an example )



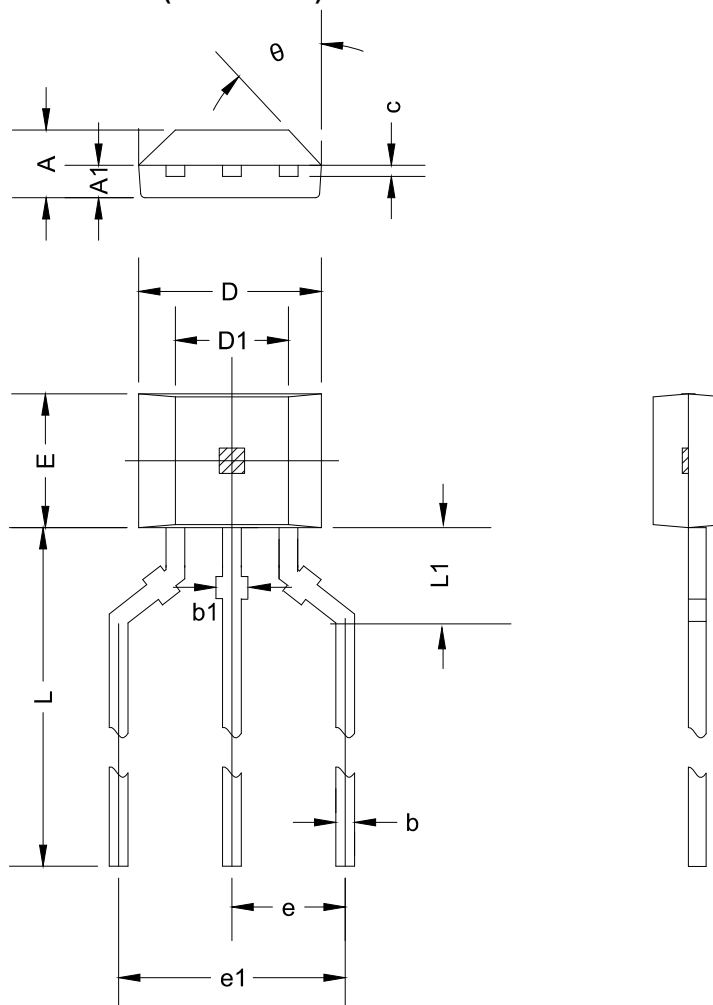
## PACKAGE DESIGNATOR

(MT3411A) TO-92 Flat



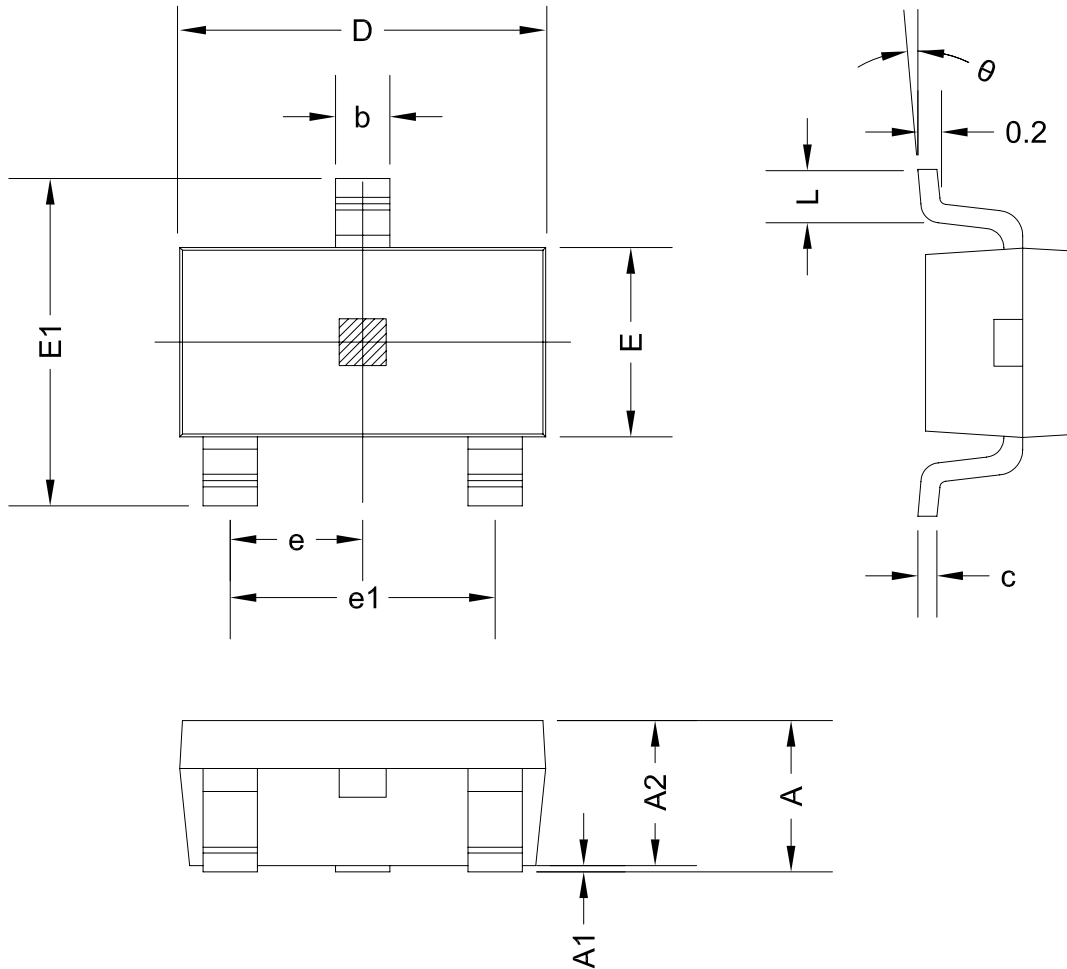
Symbol	Dimensions in Millimeters		Dimensions in Inches	
	Min	Max	Min	Max
A	1.420	1.620	0.056	0.064
A1	0.660	0.860	0.026	0.034
b	0.350	0.480	0.014	0.019
b1	0.400	0.550	0.016	0.022
c	0.360	0.510	0.014	0.020
D	3.900	4.200	0.154	0.165
D1	2.970	3.270	0.117	0.129
E	2.870	3.124	0.113	0.123
e	1.270 TYP.		0.050 TYP.	
e1	2.440	2.640	0.096	0.104
L	13.600	15.500	0.535	0.610
θ	45° TYP.		45° TYP.	

**PACKAGE DESIGNATOR**  
(MT3411A-T) Flat TO-92 Radial lead



Symbol	Dimensions in Millimeters		Dimensions in Inches	
	Min	Max	Min	Max
A	1.420	1.620	0.056	0.064
A1	0.660	0.860	0.026	0.034
b	0.350	0.480	0.014	0.019
b1	0.400	0.550	0.016	0.022
c	0.360	0.510	0.014	0.020
D	3.900	4.200	0.154	0.165
D1	2.970	3.270	0.117	0.129
E	2.870	3.124	0.113	0.123
e	2.540 TYP.		0.100 TYP.	
e1	5.080 TYP.		0.200 TYP.	
L	14.300 REF.		0.563 REF.	
L1	2.150 REF.		0.085 REF.	
θ	45° TYP.		45° TYP.	

**PACKAGE DESIGNATOR**  
(MT3411AT) SOT-23-3L

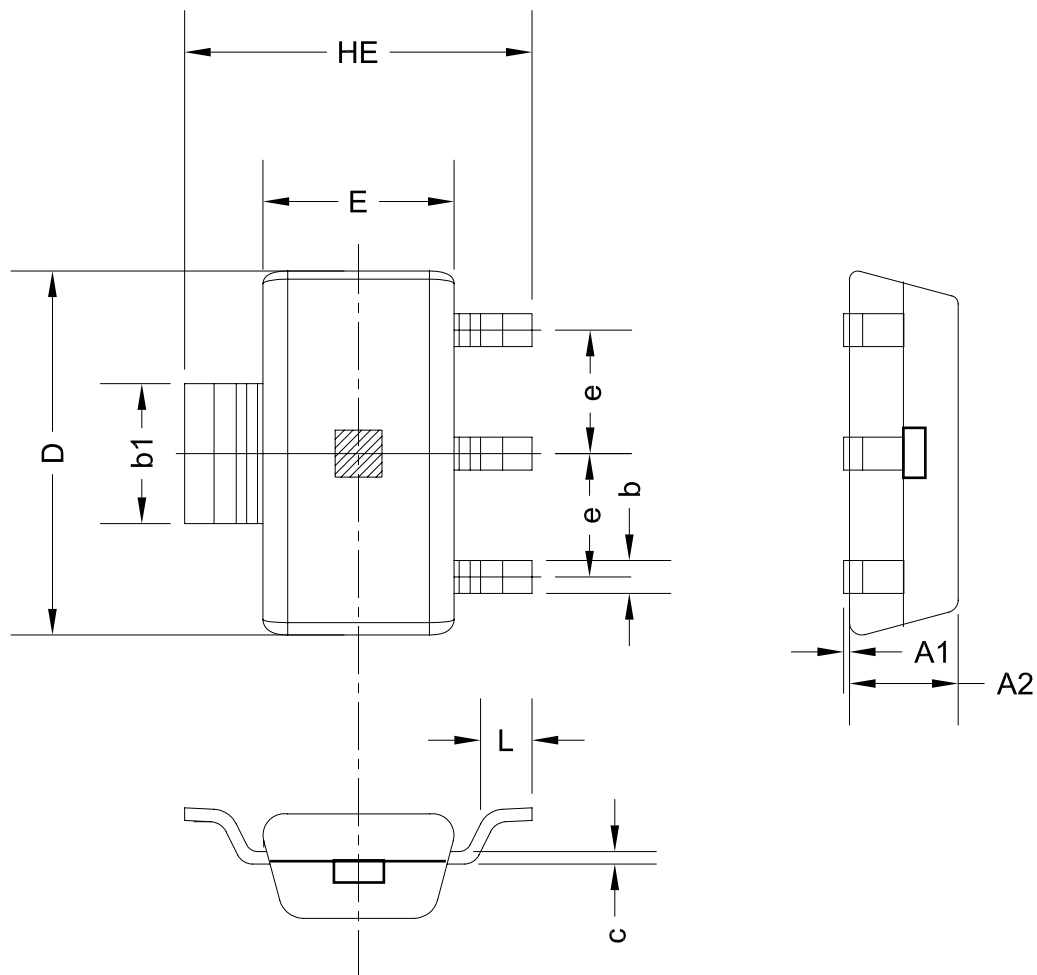


Symbol	Dimensions in Millimeters		Dimensions in Inches	
	Min	Max	Min	Max
A	1.050	1.250	0.041	0.049
A1	0.000	0.100	0.000	0.004
A2	1.050	1.150	0.041	0.045
b	0.300	0.500	0.012	0.020
c	0.100	0.200	0.004	0.008
D	2.820	3.020	0.111	0.119
E	1.500	1.700	0.059	0.067
E1	2.650	2.950	0.104	0.116
e	0.950 TYP.		0.037 TYP.	
e1	1.800	2.000	0.071	0.079
L	0.300	0.600	0.012	0.024
θ	0°	8°	0°	8°



## PACKAGE DESIGNATOR

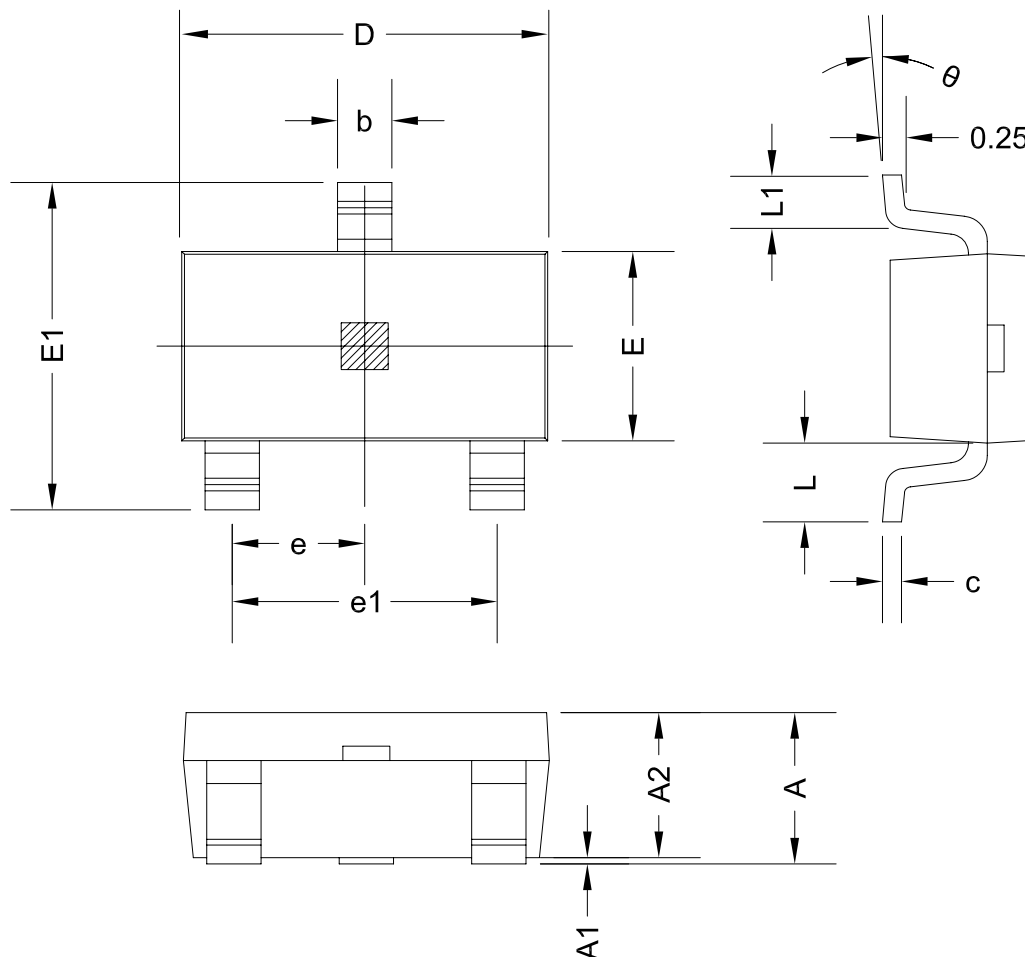
(MT3411BT) SOT-89B



Symbol	Dimensions in Millimeters		Dimensions in Inches	
	Min	Max	Min	Max
A1	0.000	0.100	0.000	0.004
A2	1.220	1.420	0.048	0.056
b	0.300	0.500	0.012	0.020
b1	1.600	1.800	0.063	0.070
D	4.400	4.600	0.173	0.181
c	1.152 REF.		0.045 REF.	
E	2.400	2.600	0.094	0.102
HE	4.000	4.400	0.157	0.173
e	1.500 TYP.		0.060 TYP.	
L	0.350	0.550	0.014	0.022

## PACKAGE DESIGNATOR

(MT3411ET) SOT-23



Symbol	Dimensions in Millimeters		Dimensions in Inches	
	Min	Max	Min	Max
A	0.900	1.150	0.035	0.045
A1	0.000	0.100	0.000	0.004
A2	0.900	1.050	0.035	0.041
b	0.300	0.500	0.012	0.020
c	0.080	0.150	0.003	0.006
D	2.800	3.000	0.110	0.118
E	1.200	1.400	0.047	0.055
E1	2.250	2.550	0.089	0.100
e	0.950 TYP.		0.037 TYP.	
e1	1.800	2.000	0.071	0.079
L	0.550 REF.		0.022 REF.	
L1	0.300	0.500	0.012	0.020
$\theta$	0°	8°	0°	8°